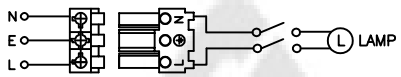
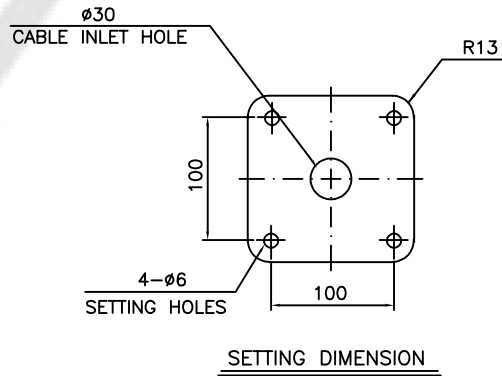
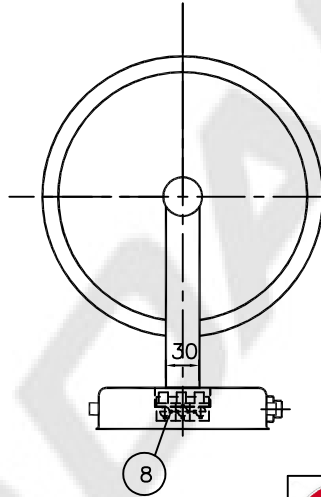
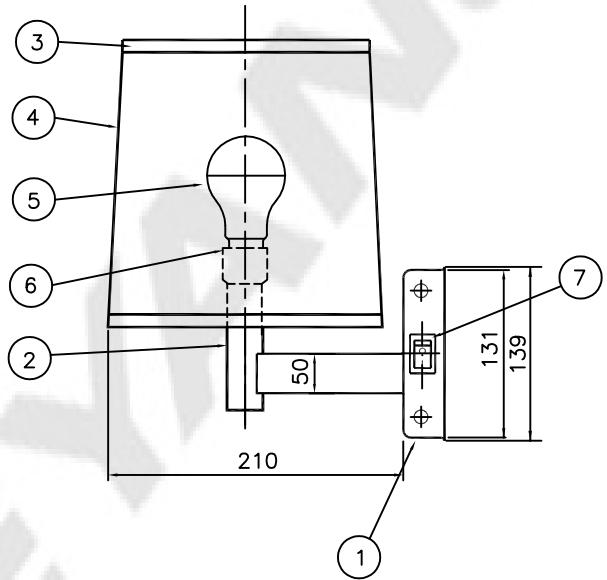
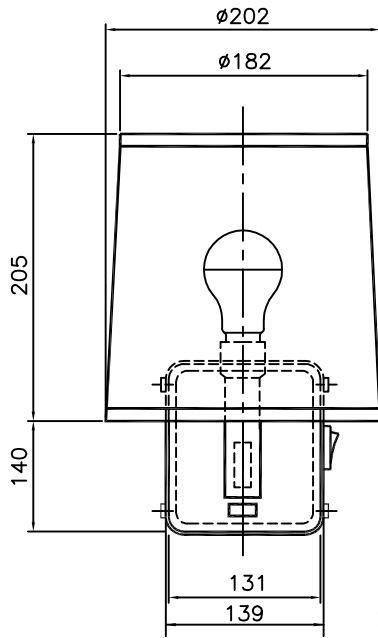


CAPACITY	SYMBOL/ SERIAL NO.	CIRCUIT DIAGRAM
AC220-240V, 50/60Hz		
11W		



*** CAUTION**

When handling decorative light with salty hands.
Be sure to clean it with a clean cloth.
Do not wipe with thinner or (organic) solvent as it may cause erosion.

8	CONNECTOR 3P	-	1		4	SHADE	NYLON	1	
7	ROCKER SWITCH	-	1		3	RING	STEEL WIRE	2	
6	LAMP HOLDER	PORCELAIN	1	TE26/27	2	ARM	BRASS	1	
5	LED LAMP	-	1	E26	1	BODY	BRASS	1	
NO	NAME OF PARTS	MATERIAL	Q'TY	REMARKS	NO	NAME OF PARTS	MATERIAL	Q'TY	REMARKS

APPROVED	B. K. KIM	UNIT	MM
CHECKED		SCALE	N/S
DRAWING	B. I. KIM	COLOR	GOLDEN PLATED
DATE	2015.12.04	IP	20

TITLE;
LED WALL DECORATIVE LIGHT
("C" TYPE)
FOR MARINE USE



MODEL NO.	LD11-23GCC30	WEIGHT	1.8 Kg
DWG NO.	LP7440016	SHEET NO.	22